



DONOVAN STREET

BROADWAY

PB-0897

PB-0890

PB-0895

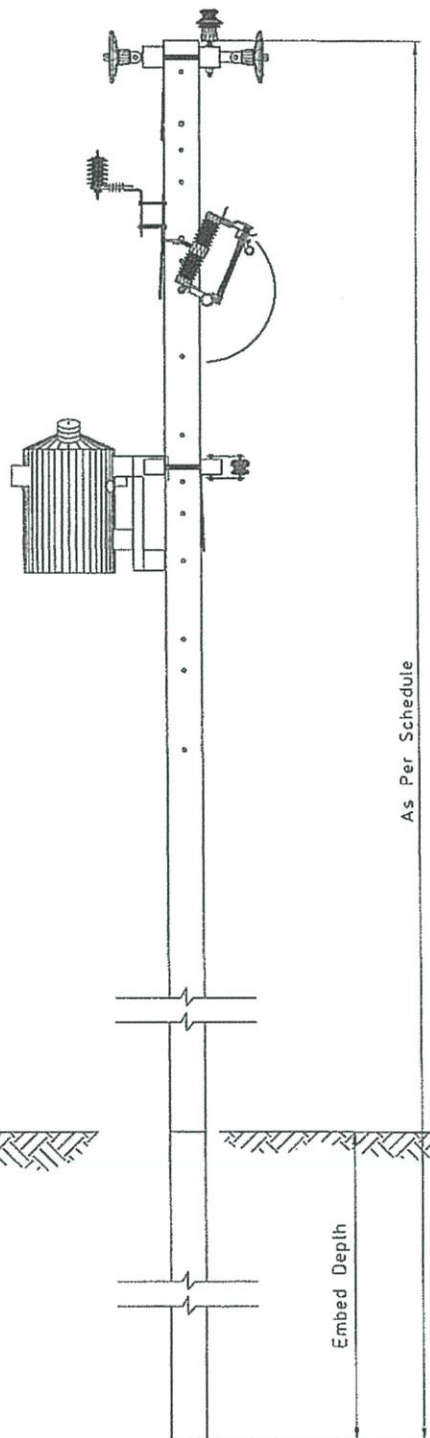
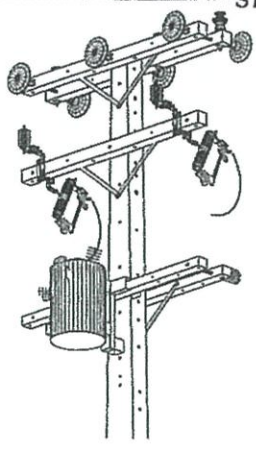
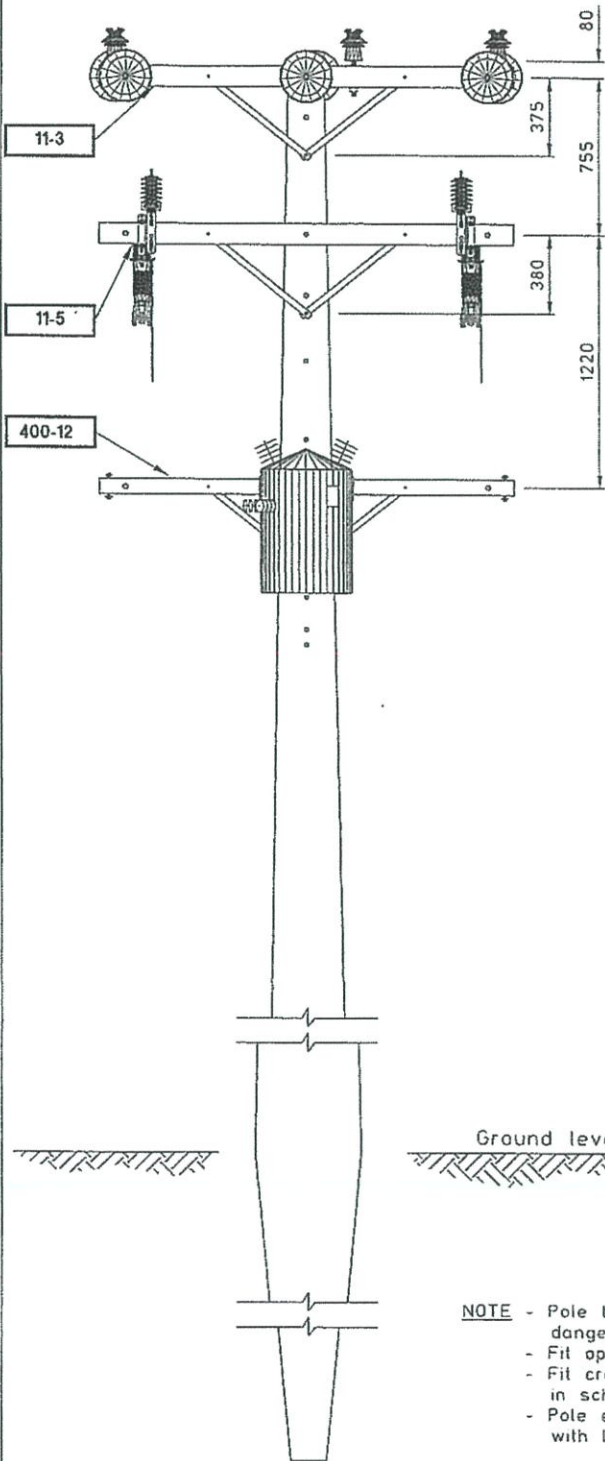
37451

SH 7

Squirrel ACSR Conductor

Aproximately 216 Meter Proposed 11 kV Span

10.6 Meter Stresscrete Pole With Guy Wire Support



Ground level

- NOTE** - Pole to be fitted with a danger plate on road face
 - Fit opossum guard
 - Fit crossarms as specified in schedule
 - Pole embed depth varies with length Refer to supplier

Stresscrete
 11 kV Termination 2way/DDO-Arrestors
 LT Transformer/Termination 1 way

STD 144

Revision Date: 24/02/2009
 Checked by:

